

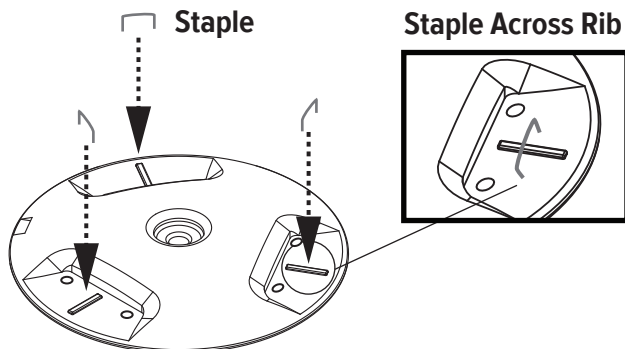
A minimum of 4 Pallet Floor Guards should be used for one pallet, one in each corner. For heavier loads and larger pallets, add one Pallet Floor Guard to the center of the pallet, as shown above. (48" x 20" may need only 4 Pallet Floor Guards, depending on the weight)

Pallet Floor Guards are fastened to the pallet with either 3 staples or 1 screw. (See instructions below)
NOTE: Integrated glue holes allow Guards to be affixed to other display materials.

Patented #8,321,995

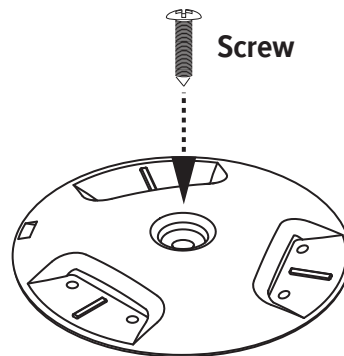
Installation Options:

Staple Mount



Option 1: Use Three Staples (Pneumatic Stapler)
 Staple #6, 9/16" long, heavy duty, wide crown is recommended

Screw Mount



Option 2: Use One Screw Flat head wood screw #8, 3/4" long is recommended.

NOTE: DO NOT OVER TORQUE.
 Guard should be flush to bottom of pallet.



BEING GREEN: The Pallet Floor Guard extends the life of wooden pallets. Re-using wooden pallets is an eco-friendly decision.

20190515